

Teclumos Circular Sight Glass Fitting CSD (DIN 28120 or similar)

• Application:

These Teclumos sight glasses are circular flanged ports for welding onto the vessel wall. They are designed For viewing of the internals of pressure vessels, tanks, silos, stirred vessels, separators pipelines, etc.

• Features and Options:

- Nominal Pressure: 6 / 10 / 16 bar (depends on size)
- Temperature: max. 150°C with soda-lime glass DIN 8902, max. 280°C with borosilicate glass DIN 7080
- Vacuum

• Assembly:

After welding base flange onto or into the vessel wall, gaskets & glass disc and mating flange are placed together. Then the nuts in case of studded base flange and washers are progressively tightened.

Always work on opposed pairs of nuts at a time.

• Materials of components:

| Item | Part | Material |
|------|--------------|---|
| 1 | Base flange | Steel RSt 37-2, AISI 316 or other |
| 2 | Cover flange | Steel RSt 37-2, AISI 316 or alternative |
| 3 | Gaskets | Silicon, PTFE or other |
| 4 | Nuts | Stainless steel A2 or alternative |
| 5 | Bolts | Stainless steel A2 or other |
| 6 | Glass disc | Sodium silicate glass to DIN 8902 or Borosilicate glass to DIN 7080 |

• Dimensions:

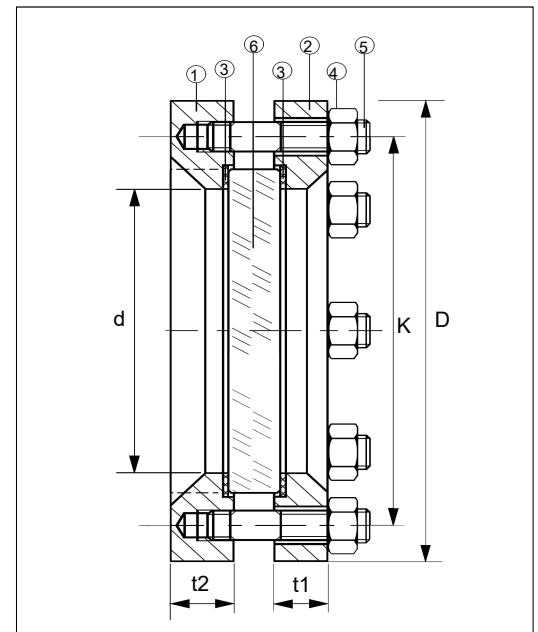
| Size | A | B | C | 8 | 9 |
|---------------------------|-------|-------|-------|----------|----------|
| DN | 50 | 80 | 100 | 125 | 150 |
| PN | 10/16 | 10/16 | 10/16 | 6/10/16 | 6/10/16 |
| D | 165 | 200 | 220 | 250 | 285 |
| K | 125 | 160 | 180 | 210 | 240 |
| d | 80 | 100 | 125 | 150 | 175 |
| t1 | 16/16 | 20/20 | 22/22 | 18/25/25 | 18/30/30 |
| t2 | 30 | 30 | 30 | 30 | 36 |
| BS (Bolts size) | M 16 | M 16 | M 16 | M 16 | M 20 |
| BN (Bolts no.) | 4 | 8 | 8 | 8 | 8 |

- Other dimensions on request.

All dimensions in mm.



Design of Teclumos circular sight glass fitting CSD



Teclumos Co.

Saray Mah. Dr. Adnan Büyükdeniz
Cad. Ümraniye, İstanbul, Turkey
E-Mail: info@teclumos.com
Web: www.teclumos.com